

---

## Features

### General

- High-performance, Low-power secureAVR® RISC Architecture
  - 135 Powerful Instructions (Most Executed in a Single Clock Cycle)
- Low Power Idle and Power-down Modes
- Bond Pad Locations Conforming to ISO 7816-2
- ESD Protection to  $\pm 6000V$
- Operating Ranges: 1.62 to 5.5V
- Compliant with GSM, 3GPP and EMV 2000 Specifications; PC Industry Compatible
- Available in Wafers, Modules, QFN44 and SOIC8 packages

### Memory

- 256K Bytes of ROM Program Memory
- 72K Bytes of EEPROM, Including 128 OTP Bytes and 384-byte Bit-addressable Area
  - 1 to 128-byte Program / Erase
  - 1.25 ms Program / 1.25 ms Erase
  - Typically More than 500,000 Write/Erase Cycles at a Temperature of 25°C
  - 10 Years Data Retention
  - EEPROM Erase Only Mode
  - Write EEPROM With or Without Autoerase
- 8K Bytes of RAM
- 32K Bytes of ROM Dedicated to Atmel's Crypto-library

### Peripherals

- ISO 7816 Controller
  - Up to 625 kbps at 5 MHz
  - Compliant with T = 0 and T = 1 Protocols
- One I/O Port
- USB 2.0 Full Speed interface with 5 endpoints and DMA controller
- Programmable Internal Oscillator (Up to 40 MHz for CPU and Crypto Accelerator)
- Two 16-bit Timers
- Random Number Generator (RNG)
- 2-level, 9-vector Interrupt Controller
- Hardware DES and Triple DES DPA/DEMA Resistant
- Checksum Accelerator
- CRC 16 & 32 Engine (Compliant with ISO/IEC 3309)
- 32-bit AdvX™ Cryptographic Accelerator for Public Key Operations with GF(2n)
- Multiplier and Firmware (RSA, ECC, Key Generation)

### Security

- Dedicated Hardware for Protection Against SPA/DPA Attacks
- Advanced Protection Against Physical Attack, Including Active Shield
- Environmental Protection Systems
- Voltage Monitor
- Frequency Monitor
- Light Protection
- Temperature Monitor
- Secure Memory Management/Access Protection (Supervisor Mode)

### Certification

- CC EAL4+
- VISA
- CAST
- USB 2.0



---

## Secure Microcontroller for Smart Cards

---

## AT90SC25672RCT -USB Summary

6522DS-SPD-07Sep07



Note: This is a summary document. A complete document will be available under NDA. For more information, please contact your local Atmel sales office.



## Development Tools

- Voyager Emulation Platform (ATV4 Standard) to Support Software Development
- IAR Systems EWAVR® V4.21A Debugger or Above
- Software Libraries and Application Notes

## Description

The AT90SC25672RCT-USB is a low-power, high-performance, 8/16-bit microcontroller with ROM program memory, EEPROM data memory, cryptographic accelerator based on the secureAVR enhanced RISC architecture. By executing powerful instructions in a single clock cycle, the AT90SC25672RCT-USB achieves throughputs close to 1 MIPS per MHz. Its Harvard architecture includes 32 general purpose working registers directly connected to the ALU, allowing two independent registers to be accessed in one single instruction executed in one clock cycle.

The AT90SC25672RCT-USB uses a new AVR® architecture, the secureAVR that allows the linear addressing of up to 8M bytes of code and up to 16M bytes of data as well as a number of new functional and security features.

The cryptographic accelerator featured in this product is the AdvX, a 32-bit accelerator dedicated to performing fast encryption and authentication functions. It is combined with a 32K byte-ROM for a high-performance and secure crypto firmware.

The ability to map the EEPROM in the code space allows parts of the program memory to be reprogrammed in-system. This technology combined with the versatile 8/16-bit CPU on a monolithic chip provides a highly flexible and cost-effective solution to many smart card applications.

Additional security features include power and frequency protection logic, logical scrambling on program data and addresses, Power Analysis countermeasures and memory accesses controlled by a supervisor mode. A block diagram of the AT90SC25672RCT-USB is shown in Figure 1 hereafter.

## USB Controller Description

The AT90SC25672RCT-USB features an USB V2.0 Full Speed controller which requires a 48 MHz external crystal for the data transfer. The USB interface consists of a Serial Interface Engine (SIE) and a Universal Function Interface (UFI). The SIE performs clock/data separation, NRZI encoding and decoding, bit stuffing, CRC generation and checking and serial-parallel data conversion.

The UFI connects the USB interface to the AVR. It consists of a protocol engine and provides five configurable data transfer endpoints, each with its own DPRAM in the memory area. The data transfer type for each endpoint is configured by software. The table below indicates the characteristics of each endpoint:

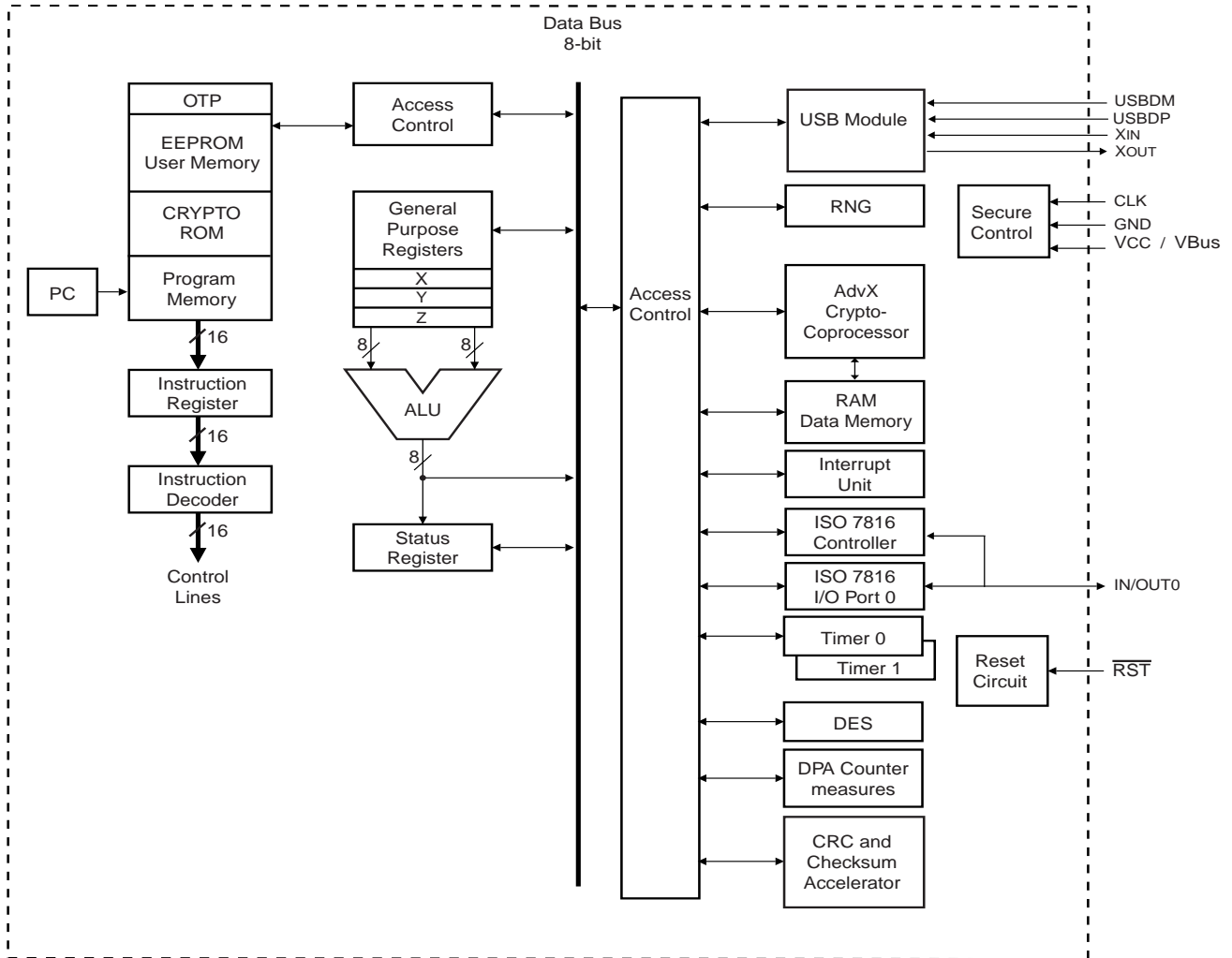
**Table 1: Characteristics of each endpoint.**

Endpoint number	Size (bytes)	Available data transfer modes
EP0	64	BULK, ISOCHRONOUS, INTERRUPT, CONTROL
EP1	2 * 64	BULK, ISOCHRONOUS, INTERRUPT
EP2	2 * 64	BULK, ISOCHRONOUS, INTERRUPT
EP3	64	BULK, ISOCHRONOUS, INTERRUPT, CONTROL
EP4	64	BULK, ISOCHRONOUS, INTERRUPT, CONTROL

A DMA controller allows a fast communication rate between the RAM of the CPU and the DPRAM.

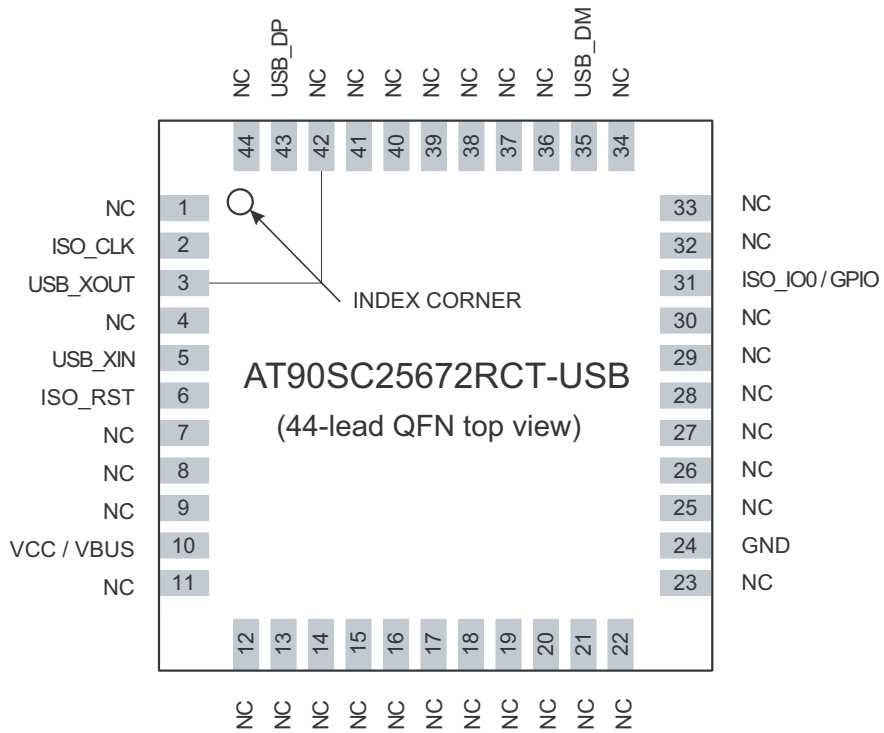
The USB controller provides a dynamic pull-up attachment and detachment and a host detection mechanism. In addition, it offers an automatic interface detection between the USB 2.0 and the ISO7816 port.

**Figure 1.** AT90SC25672RCT -USB secureAVR RISC Architecture

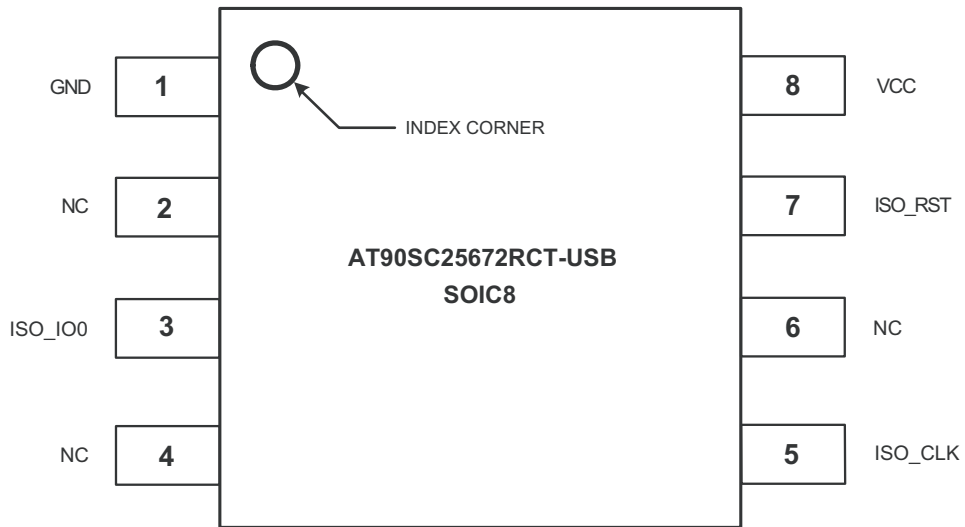


A DMA controller allows a fast communication rate between the RAM of the CPU and the DPRAM.

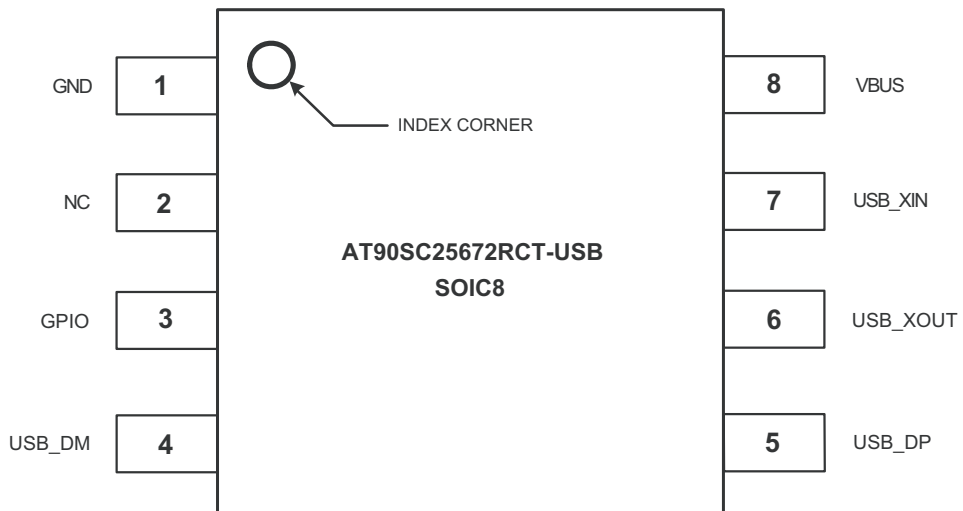
**Figure 2.** Pinout AT90SC25672RCT-USB - Package QFN44



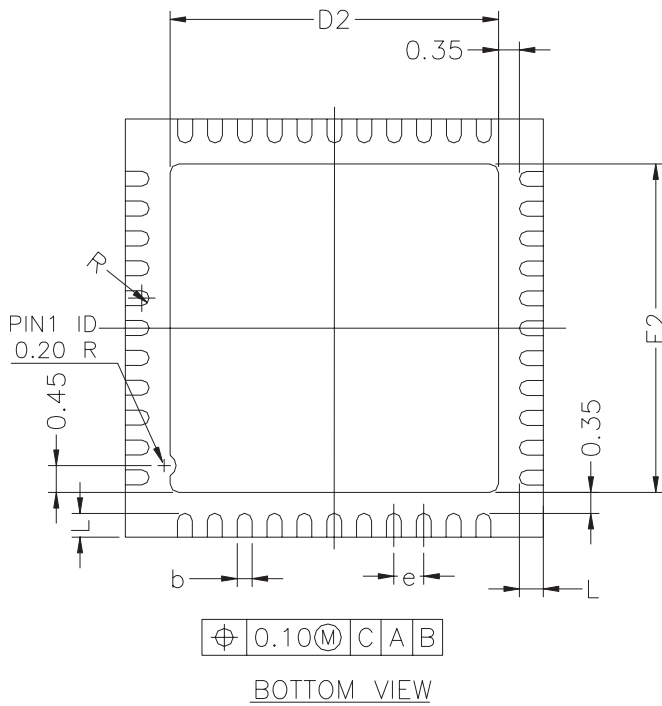
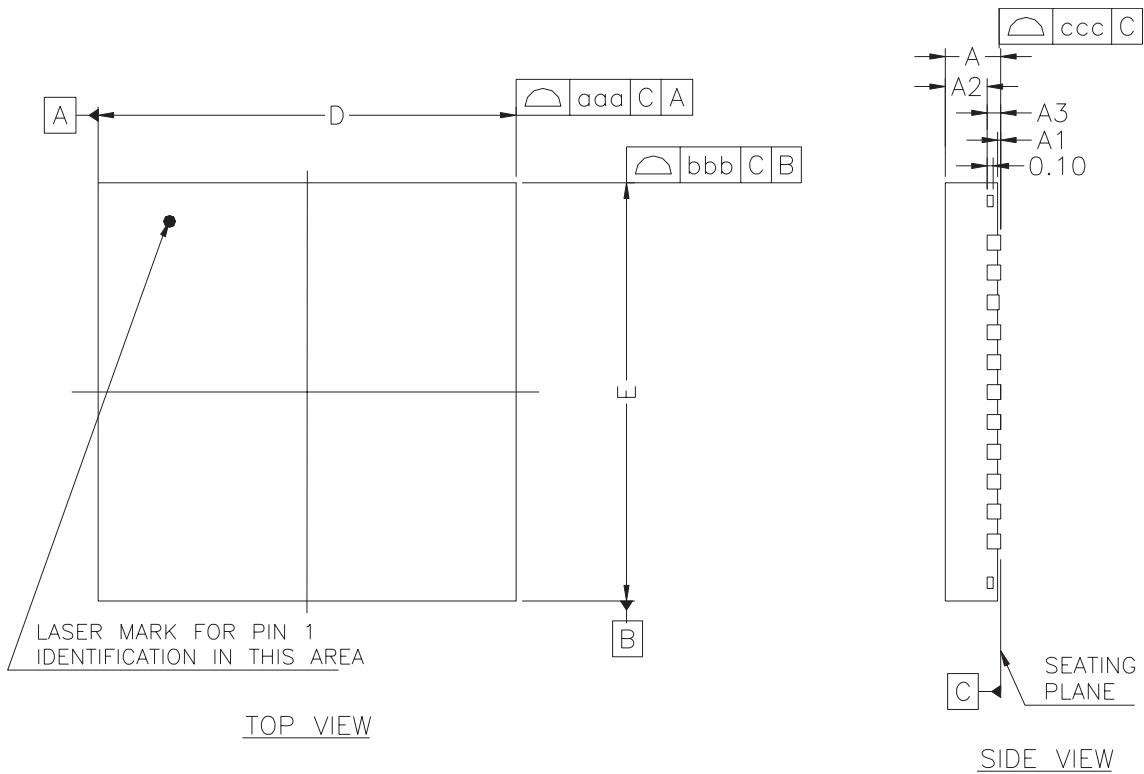
**Figure 3.** Pinout AT90SC25672RCT-USB - Package SOIC8 - ISO Mode



**Figure 4.** Pinout AT90SC25672RCT-USB - Package SOIC8 - USB Mode



**Figure 5. Quad Flat No Lead Package, 44 Leads**

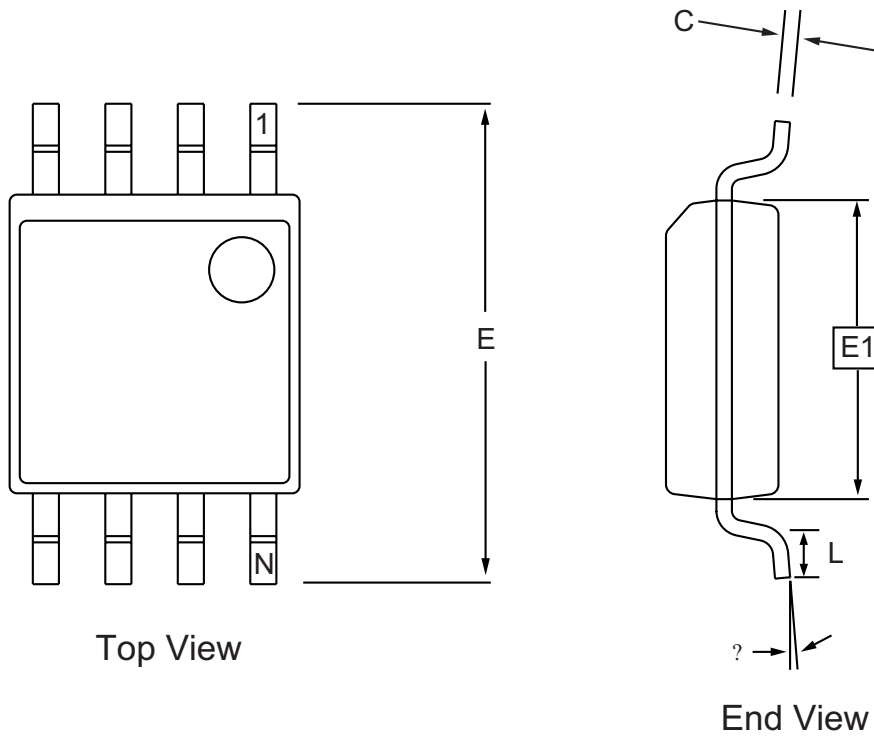


\* CONTROLLING DIMENSION : MM

SYMBOL	MILLIMETER			INCH		
	MIN.	NOM.	MAX.	MIN.	NOM.	MAX.
A	---	---	0.90	---	---	0.035
A1	---	---	0.05	---	---	0.002
A2	---	0.65	0.70	---	0.026	0.028
A3	0.20 REF.			0.008 REF.		
b	0.18	0.25	0.30	0.007	0.010	0.012
D	6.90	7.00	7.10	0.272	0.276	0.280
D2	5.40	5.50	5.60	0.213	0.217	0.220
E	6.90	7.00	7.10	0.272	0.276	0.280
E2	5.40	5.50	5.60	0.213	0.217	0.220
L	0.35	0.40	0.45	0.014	0.016	0.018
e	0.50 bsc			0.020 bsc		
R	0.090	---	---	0.004	---	---

- NOTES :
1. ALL DIMENSIONS ARE IN MILLIMETERS.
  2. PACKAGE WARPAGE MAX 0.08 mm.

**Figure 6.** Plastic Small Outline Package - 8-lead - 0.209" Body



**COMMON DIMENSIONS**  
(Unit of Measure = mm)

SYMBOL	MIN	NOM	MAX	NOTE
A	1.70		2.16	
A1	0.05		0.25	
b	0.35		0.48	5
C	0.15		0.35	5
D	5.13		5.35	
E1	5.18		5.40	2, 3
E	7.70		8.26	
L	0.51		0.85	
?	0°		8°	
e	1.27 BSC			4

- Notes:
1. This drawing is for general information only; refer to EIAJ Drawing EDR-7320 for additional information.
  2. Mismatch of the upper and lower dies and resin burrs are not included.
  3. It is recommended that upper and lower cavities be equal. If they are different, the larger dimension shall be regarded.
  4. Determines the true geometric position.
  5. Values b and C apply to pb/Sn solder plated terminal.  
The standard thickness of the solder layer shall be 0.010 +0.010/-0.005 mm.







## Atmel Corporation

2325 Orchard Parkway  
San Jose, CA 95131, USA  
Tel: 1(408) 441-0311  
Fax: 1(408) 487-2600

## Regional Headquarters

### Europe

Atmel Sarl  
Route des Arsenaux 41  
Case Postale 80  
CH-1705 Fribourg  
Switzerland  
Tel: (41) 26-426-5555  
Fax: (41) 26-426-5500

### Asia

Room 1219  
Chinachem Golden Plaza  
77 Mody Road Tsimshatsui  
East Kowloon  
Hong Kong  
Tel: (852) 2721-9778  
Fax: (852) 2722-1369

### Japan

9F, Tonetsu Shinkawa Bldg.  
1-24-8 Shinkawa  
Chuo-ku, Tokyo 104-0033  
Japan  
Tel: (81) 3-3523-3551  
Fax: (81) 3-3523-7581

## Atmel Operations

### Memory

2325 Orchard Parkway  
San Jose, CA 95131, USA  
Tel: 1(408) 441-0311  
Fax: 1(408) 436-4314

### Microcontrollers

2325 Orchard Parkway  
San Jose, CA 95131, USA  
Tel: 1(408) 441-0311  
Fax: 1(408) 436-4314

La Chantrerie  
BP 70602  
44306 Nantes Cedex 3, France  
Tel: (33) 2-40-18-18-18  
Fax: (33) 2-40-18-19-60

### ASIC/ASSP/Smart Cards

Zone Industrielle  
13106 Rousset Cedex, France  
Tel: (33) 4-42-53-60-00  
Fax: (33) 4-42-53-60-01

1150 East Cheyenne Mtn. Blvd.  
Colorado Springs, CO 80906, USA  
Tel: 1(719) 576-3300  
Fax: 1(719) 540-1759

Scottish Enterprise Technology Park  
Maxwell Building  
East Kilbride G75 0QR, Scotland  
Tel: (44) 1355-803-000  
Fax: (44) 1355-242-743

### RF/Automotive

Theresienstrasse 2  
Postfach 3535  
74025 Heilbronn, Germany  
Tel: (49) 71-31-67-0  
Fax: (49) 71-31-67-2340

1150 East Cheyenne Mtn. Blvd.  
Colorado Springs, CO 80906, USA  
Tel: 1(719) 576-3300  
Fax: 1(719) 540-1759

### Biometrics/Imaging/Hi-Rel MPU/

### High Speed Converters/RF Datacom

Avenue de Rochepleine  
BP 123  
38521 Saint-Egreve Cedex, France  
Tel: (33) 4-76-58-30-00  
Fax: (33) 4-76-58-34-80

---

### Literature Requests

[www.atmel.com/literature](http://www.atmel.com/literature)

**Disclaimer:** The information in this document is provided in connection with Atmel products. No license, express or implied, by estoppel or otherwise, to any intellectual property right is granted by this document or in connection with the sale of Atmel products. **EXCEPT AS SET FORTH IN ATMEL'S TERMS AND CONDITIONS OF SALE LOCATED ON ATMEL'S WEB SITE, ATMEL ASSUMES NO LIABILITY WHATSOEVER AND DISCLAIMS ANY EXPRESS, IMPLIED OR STATUTORY WARRANTY RELATING TO ITS PRODUCTS INCLUDING, BUT NOT LIMITED TO, THE IMPLIED WARRANTY OF MERCHANTABILITY, FITNESS FOR A PARTICULAR PURPOSE, OR NON-INFRINGEMENT. IN NO EVENT SHALL ATMEL BE LIABLE FOR ANY DIRECT, INDIRECT, CONSEQUENTIAL, PUNITIVE, SPECIAL OR INCIDENTAL DAMAGES (INCLUDING, WITHOUT LIMITATION, DAMAGES FOR LOSS OF PROFITS, BUSINESS INTERRUPTION, OR LOSS OF INFORMATION) ARISING OUT OF THE USE OR INABILITY TO USE THIS DOCUMENT, EVEN IF ATMEL HAS BEEN ADVISED OF THE POSSIBILITY OF SUCH DAMAGES.** Atmel makes no representations or warranties with respect to the accuracy or completeness of the contents of this document and reserves the right to make changes to specifications and product descriptions at any time without notice. Atmel does not make any commitment to update the information contained herein. Atmel's products are not intended, authorized, or warranted for use as components in applications intended to support or sustain life.

© Atmel Corporation 2007. All rights reserved. Atmel®, logo and combinations thereof, and others are registered trademarks. Everywhere You Are<sup>SM</sup>, and others are the trademarks of Atmel Corporation or its subsidiaries. Other terms and product names may be trademarks of others.